



ADCA

“ADCATROL” Intermittent Blowdown Valves VPA 25

Description

The VPA25 blowdown valve was specially designed for application on steam boilers removing the concentrations of solids avoiding boiler damages, unstable water level control and other typical problems.

The valves are provided with a diaphragm actuator suitable for compressed air or water motive fluid.

The opening signal is supplied by an automatic intermittent control unit or manually (optional).

Connections are flanged.

Main Features

High quality hardened valve and seat.

Self-tightening stuffing box.

Options:

- Top-work manual handwheel
- Automatic intermittent control unit
- Air filter regulator
- Stainless steel construction

Use :

- Steam boilers blowdown systems
- Hot and superheated water.

AVAILABLE

Models :

VPA 25

Valve Sizes :

DN25 ; DN32 ; DN40 ; DN50

Connections :

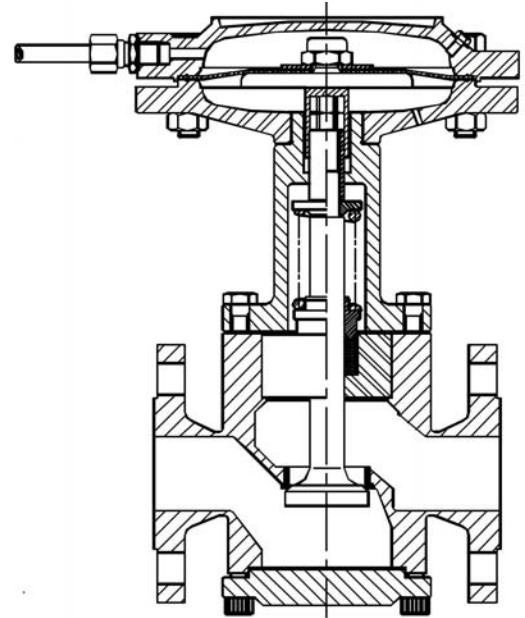
Flanged DIN

Actuators :

A2S

Actuator conn :

1/4"



Valve Limiting Connections :

Body design conditions : PN40

40 bar at 120 °C

32 bar at 250 °C

Min. working temperature : -10 °C

Max. Air supply

Pressure :

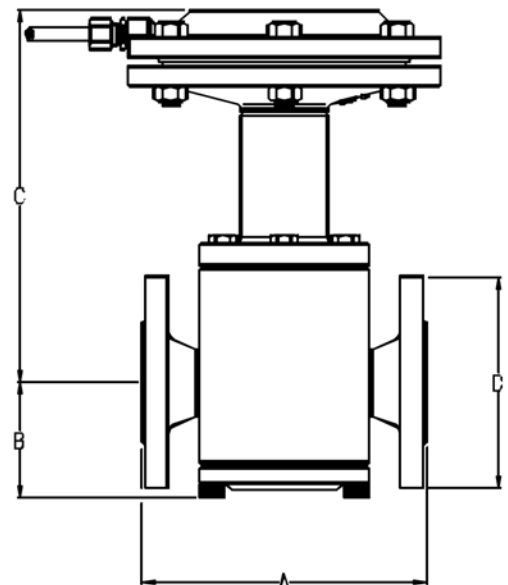
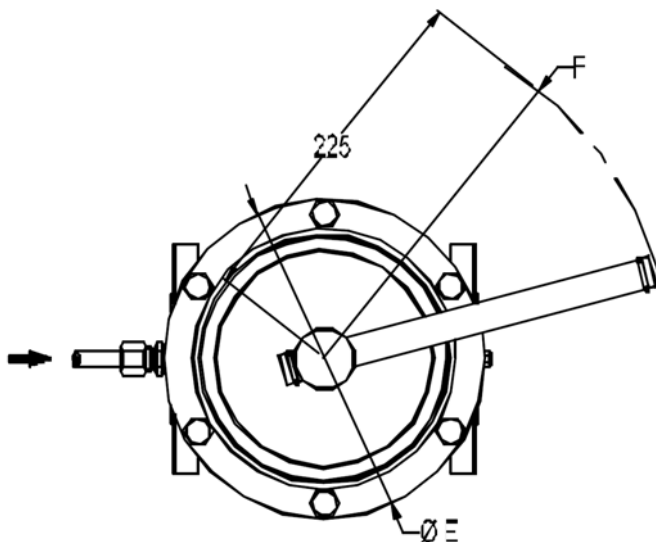
4 to 8 bar

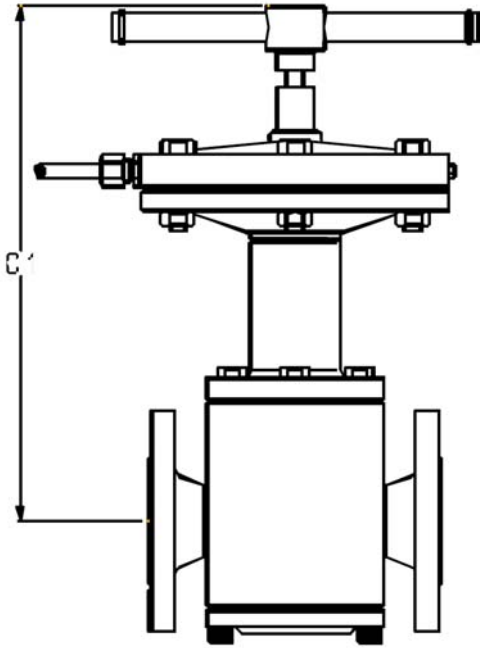
Ambient

Temperature :

-20 °C ... +70 °C

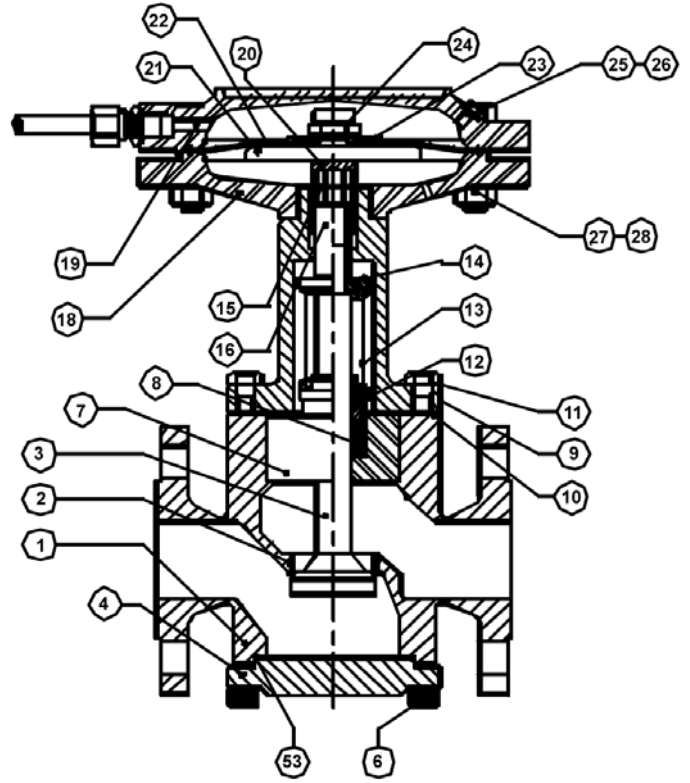
CE Marking (PED-European Directive 97/23/EC)	
PN25	PN40
DN15 to DN32 DN40 to DN50	DN15 to DN25 : SEP - Article 3, paragraph 3. DN32 to DN50 : Category 1 (CE marked)





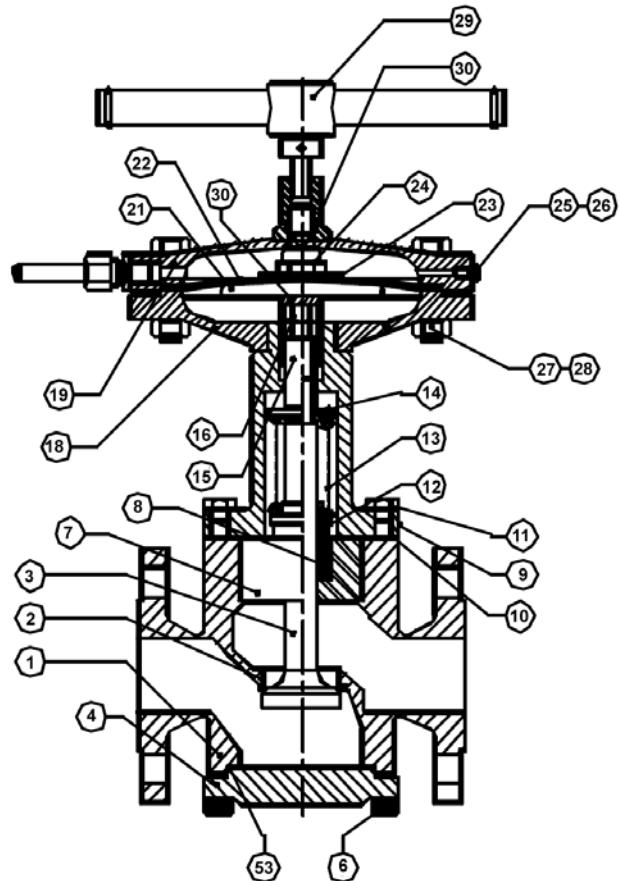
DIMENSIONS

DN	A	B	C	C1	D	E	F
25	190	82	265	350	115	210	225
32	194	82	265	350	140	210	225
40	200	82	265	350	150	210	225
50	206	82	265	350	165	210	225



MATERIALS

POS.	DESIGNATION	MATERIAL
1	Valve Body	ST52.3/C22.8
2	Seat Hard.	St.Steel
3	Valve Hard.	St.Steel
4	Bottom Cover	ST52.3
6	Bolts	Steel 8.8
7	Guide	St. Steel
8	Packing	Graphite Rings
9	Valve Yoke	ST 52.3
10	Gasket	Graphite
11	Bolts	Steel 8.8
12	Lower Spring Carrier	Brass
13	Spring Spring	Steel
14	Top Spring Carrier	Brass
15	Stem Guide	St.Steel
16	Hexagonal Nut	St.Steel
18/19	Actuator Housing	GGG40 / Steel
20	Pressure Bush	Steel
21	Diaphragm Plate	Steel
22	Diaphragm	NBR 70
23	Washer	Steel
24	Hexagonal Nut	St.Steel
27/28	Bolt/Nut	Steel
29	Handwheel	Steel
53	Gasket	Graphite





INSTALLATION AND MAINTENANCE INSTRUCTIONS

“ADCATROL” INTERMITTENT BLOWDOWN VALVES

VPA25

GENERAL

1. These instructions must be carefully read before any work involving products supplied by VALSTEAM ADCA ENGINEERING S.A. is undertaken.
2. The installation procedure is a critical stage in a life of a valve and care should be taken to avoid damage to the valve or equipment.

Warning!

- At start up, the presence of small particles in the fluid (weld splatters, bolts, nuts and other metal components) may cause an unperfected closure of the seat. If this occurs, proceed to an accurate cleaning.
- Do not touch the equipment without appropriate protection during working operation because it may conduct heat if the used fluid is at high temperature.
- Before starting maintenance be sure that the equipment is not pressurized or hot.
- The equipments must be used within the working temperature and pressure limits laid down for them, otherwise they may fail (refer to nameplate and/or IS - Information Sheet).
- Do not remove the nameplate attached to the equipment. Serial number and other useful information is stamped on it.

INSTALLATION

1. Before to install remove plastic covers placed on flanges or connection ends. The equipment has an arrow or Inlet/Outlet designations. Be sure that it will be installed on the appropriate direction.
2. Take care with jointing material to ensure that none may be permitted to block or enter the valve.
3. Blowdown valves are recommended to be fitted with the centre line of the valve in a vertical position to ensure that the best results are obtained.
4. The reducing valve pipework should be properly supported and free from strain and it should not be subjected to undue surges of pressure.

MAINTENANCE

1. We recommend that the Blowdown valves to be serviced as necessary. Blowdown valves should be checked periodically (at least yearly), to verify that they are operating correctly and to clean the internal parts.
2. When reassembling make sure that all gasket faces are clean and always use a new gasket. Tighten cover bolts uniformly in a diagonal sequence.
3. Valves in store for long periods should have their adjusting spring relaxed.
4. For further information refer to the relevant VPA25 brochure or consult our Sales Office.

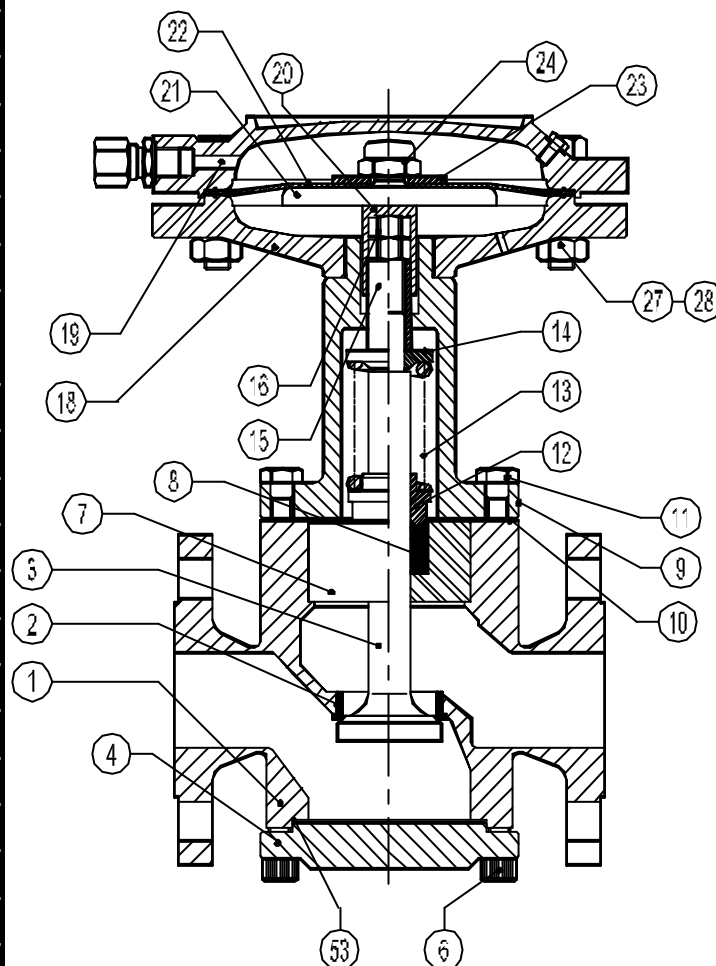
LIMITING CONDITIONS	VPA25
Maximum operating pressure	40 bar
Minimum operating temperature	-10 °C
Maximum operating temperature	250 °C

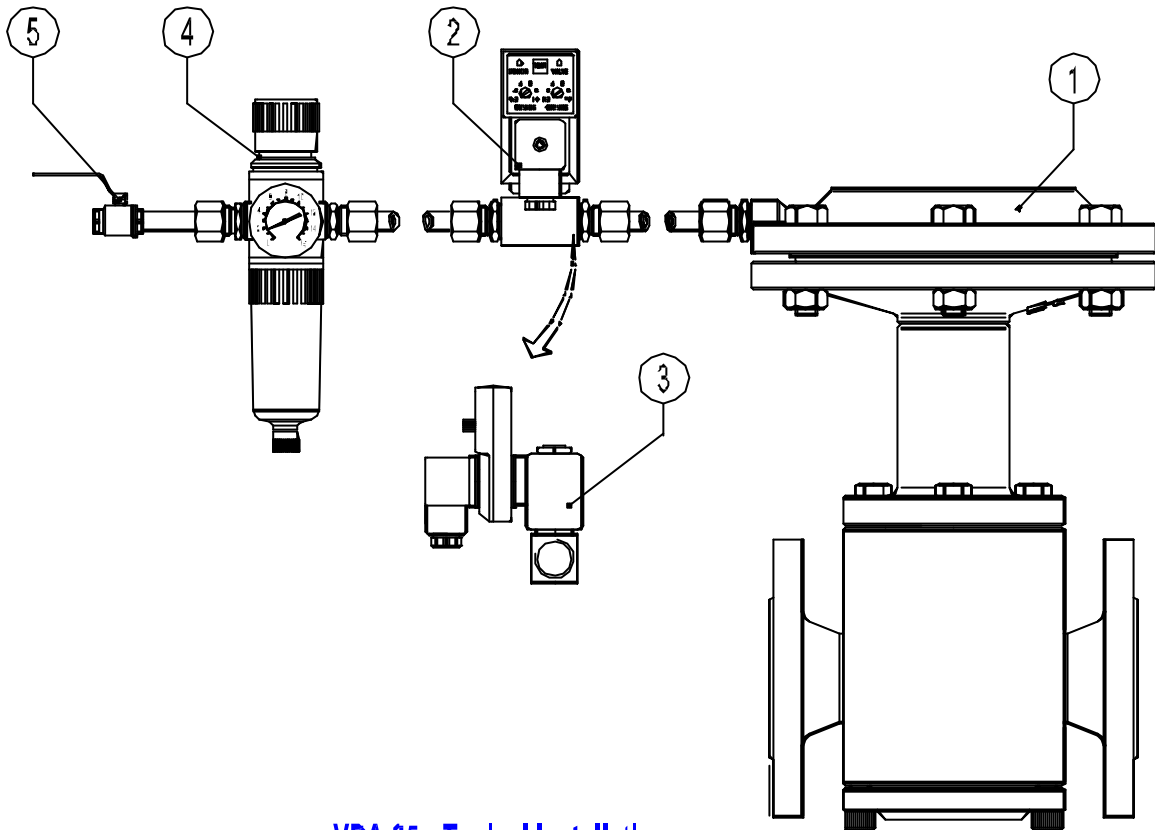
USEFUL NOTES ON VALVE AND PIPE SIZING

If the flow is unknown it is possible to estimate it based on pipe size or equipment heat requirement-please consult our Sales Office.

CE MARKING (PED - European Directive 97/23/EC)		
PN 25	PN 40	Category
DN15 to DN32	DN15 to DN 25	SEP - art. 3, paragraph3
DN40 to DN50	DN32 to DN50	1 (CE Marked)

MATERIALS		
POS.	DESIGNATION	MATERIAL
1	Valve Body	ST52.3/C22.8
2	Seat	Hard. St.Steel
3	Valve	Hard. St.Steel
4	Bottom Cover	ST52.3
6	Bolts	Steel 8.8
7	Guide	St. Steel
8	Packing	Graphite Rings
9	Valve Yoke	ST 52.3
10	Gasket	Graphite
11	Bolts	Steel 8.8
12	Lower Spring Carrier	Brass
13	Spring	Spring Steel
14	Top Spring Carrier	Brass
15	Stem Guide	St.Steel
16	Hexagonal Nut	St.Steel
18/19	Actuator Housing	GGG40 / Steel
20	Pressure Bush	Steel
21	Diaphragm Plate	Steel
22	Diaphragm	NBR 70
23	Washer	Steel
24	Hexagonal Nut	St.Steel
27/28	Bolt/Nut	Steel
29	Handwheel	Steel
53	Gasket	Graphite





VPA 25 - Typical Installation

Position	Designation
1	VPA 25 Blowdown Valve
2	Digital Timer plus Connector
3	Solenoid Valve
4	Air Filter Regulator
5	Ball Valve

LOSS OF GUARANTEE: Total or partial disregard of above instructions involves loss of any right to guarantee.