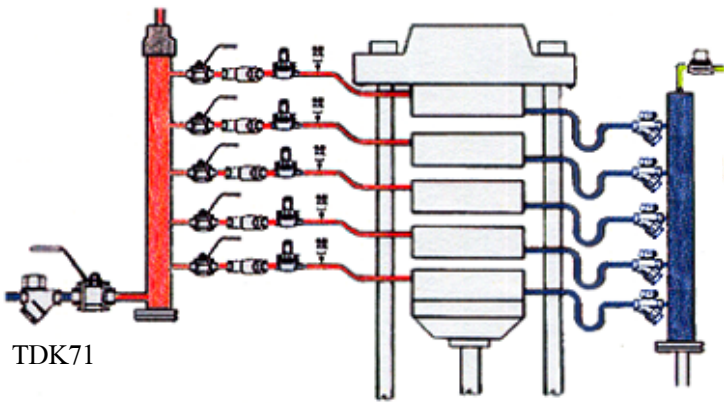
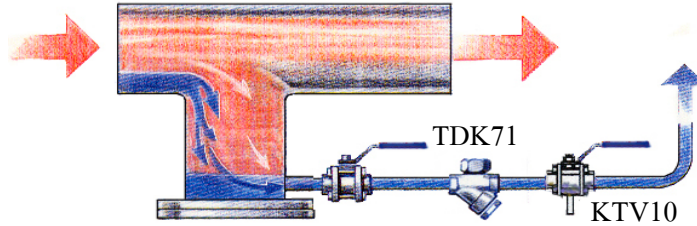


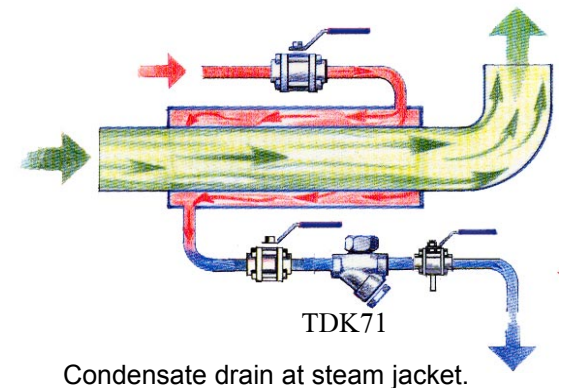
Application thermodynamic steam trap TDK 71



Condensate drain at multipressure.

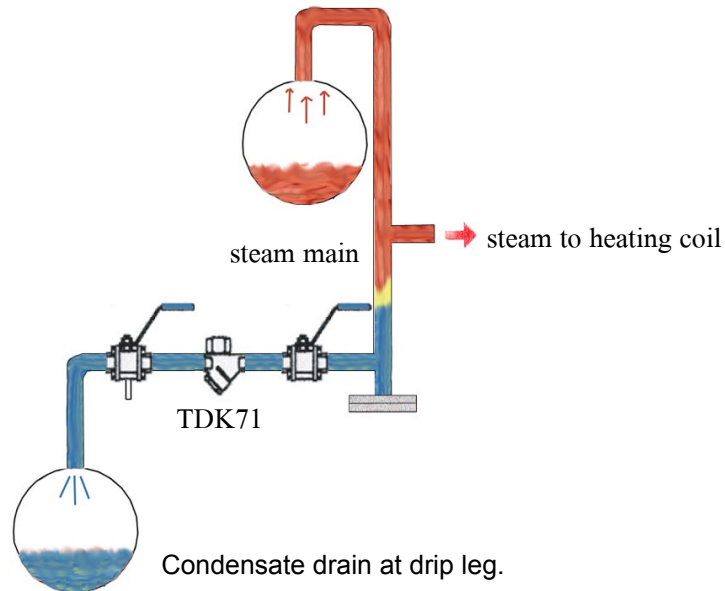


Condensate drain at steam main.



Condensate drain at steam jacket.

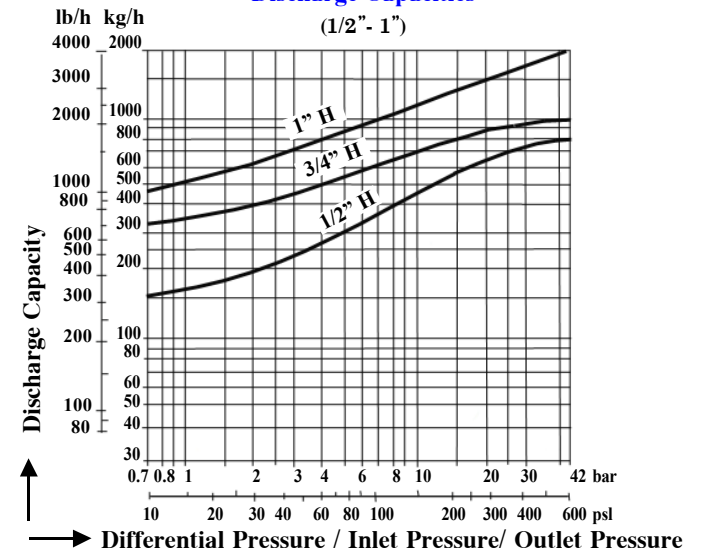
Stainless steel Thermodynamic Steam Trap
Size 1/2" - 3/4" - 1" Screwed BSP.



Condensate drain at drip leg.

- Steam
- Condensate
- Air

Discharge Capacities
(1/2" - 1")



THERMODYNAMIC STEAM TRAP OPERATION

