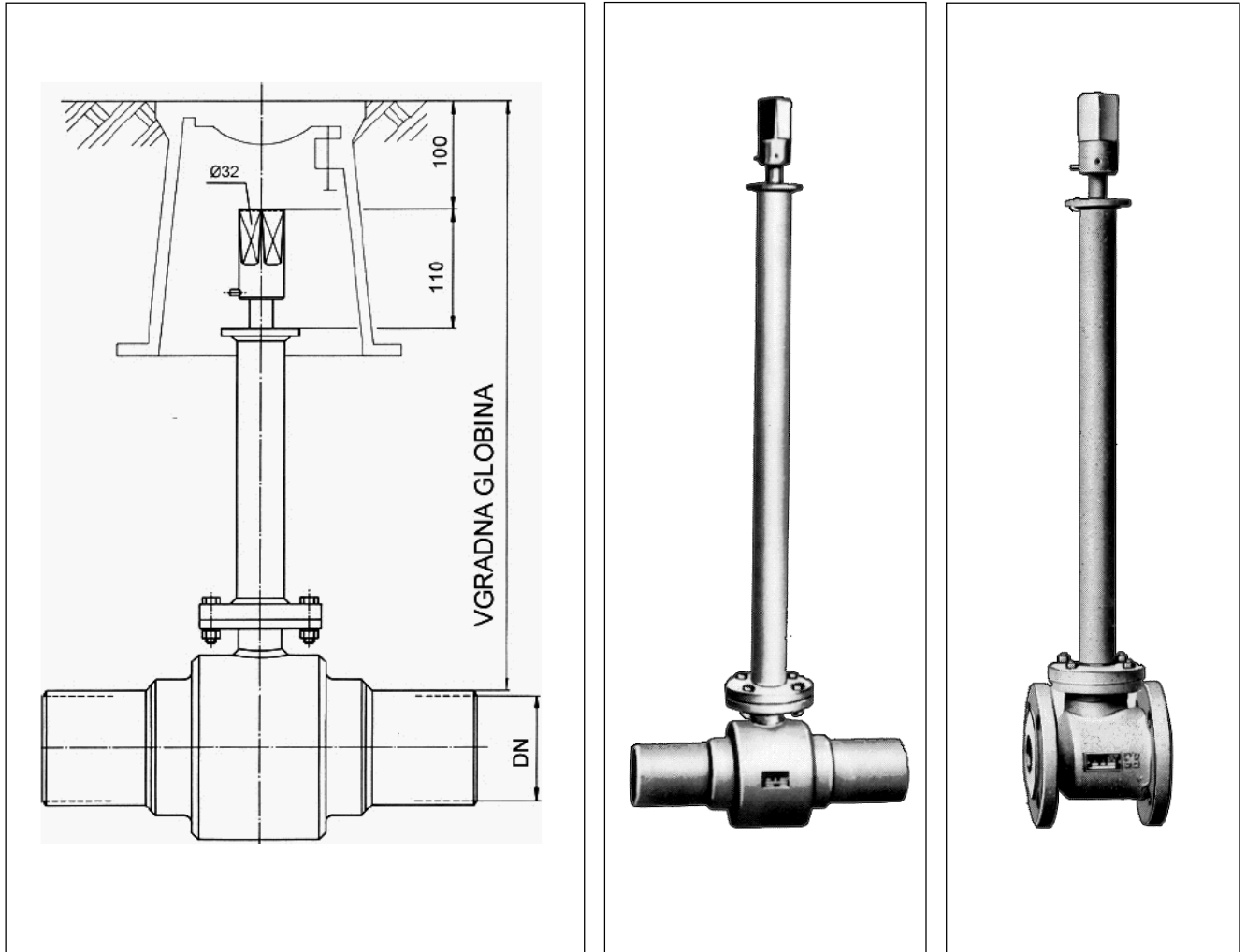


Ball Valve type ... PG

Ball Valve type ...PG for underground installation DN32 - 200 PN16 - 40



Ball valves with spindle extension are designed for mounting on underground pipelines.

- The spindle extension can be fitted on flanged or weld-on-type ball valves.
- The connection of the spindle extension piece and the ball valve is direct. The control is performed by means of the socket and wrench S32 (DIN 87304) which is identical for all ball valve sizes (the socket can be custom-built).
- The spindle extension in waterproof design.
- There exists the option of protection against stray currents.

Where ordering next to the above data please also state the Depth of installation (see drawing).